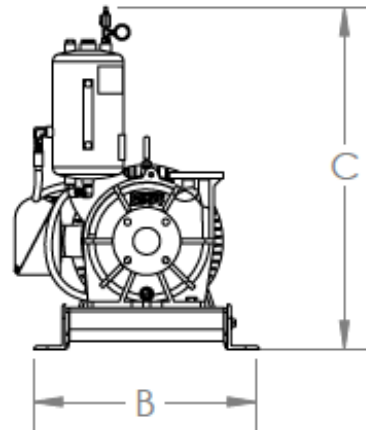
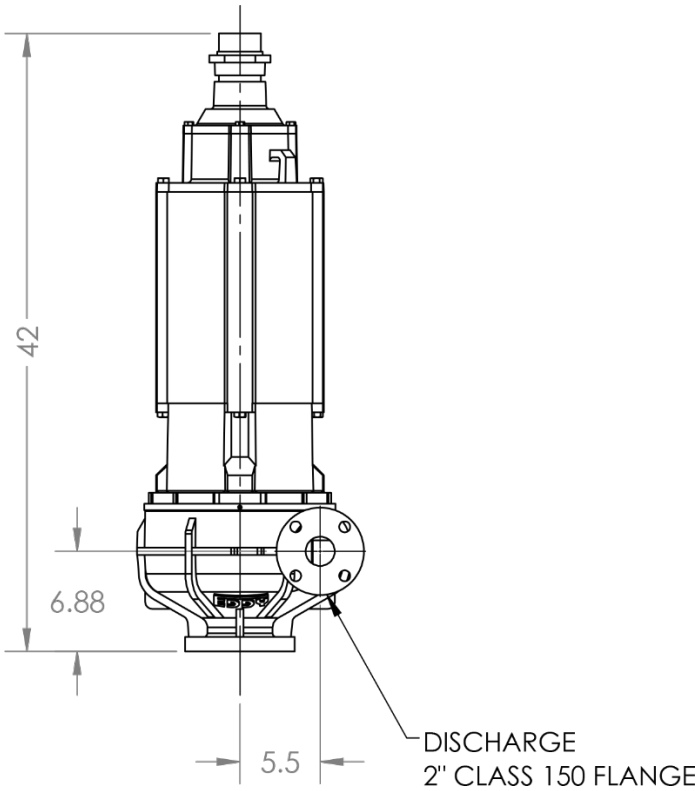
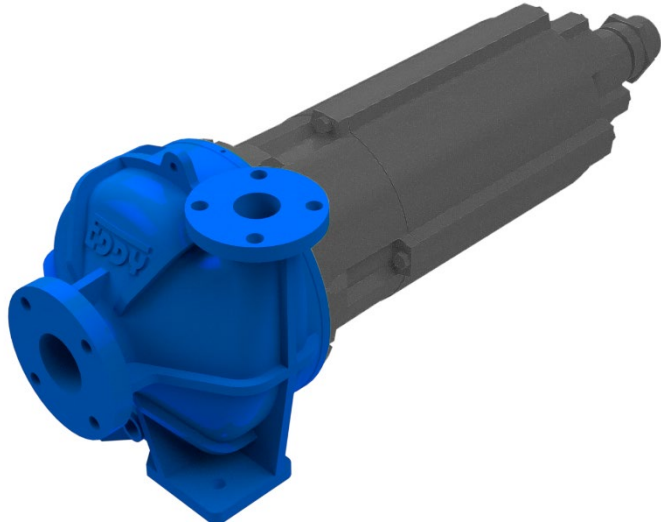


# 2-inch HD Process Pump

## Weights & Dimensions

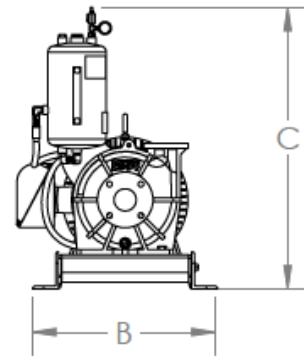
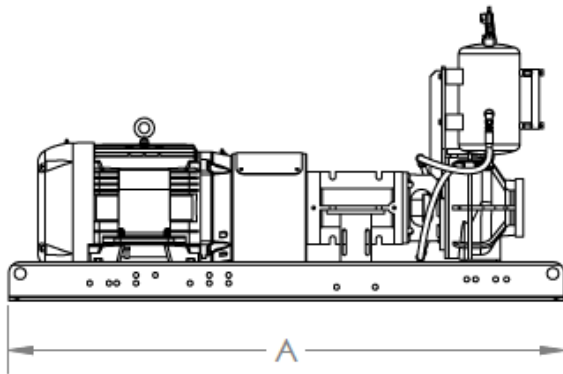
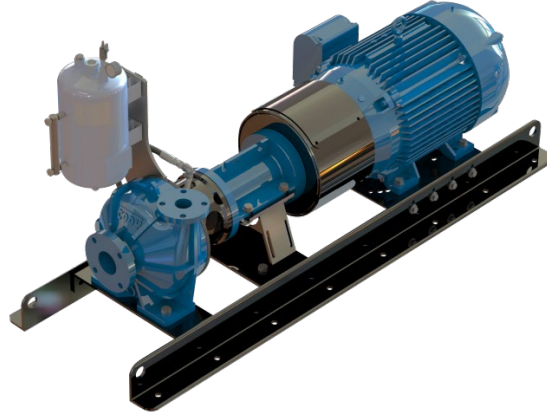
- SUBMERSIBLE PUMP
- TEFC PUMP
- TEFC WITH SELF-PRIMING

**HD2K SUBMERSIBLE**



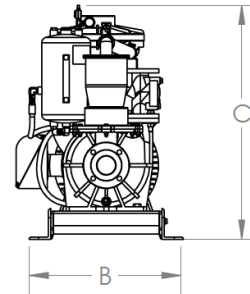
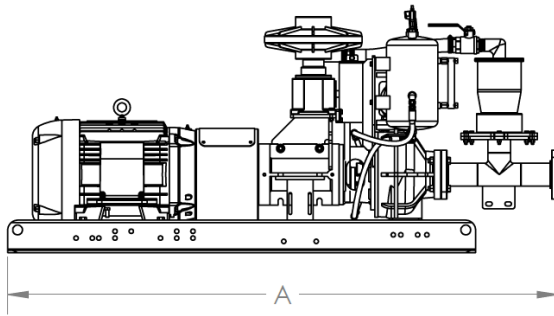
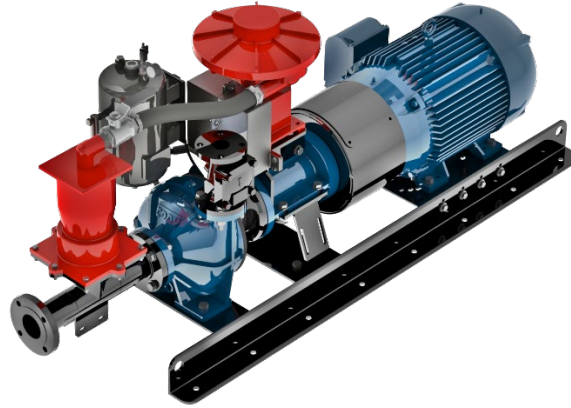
MODEL TYPE	EST. WEIGHT
5K	540
10K	550

## HD PROCESS PUMP, HD2K TEFC ELECTRIC FLEX COUPLED



MODEL TYPE	SUCTION X DISCHARGE [IN]	NEMA FRAME	HP	RPM	A [IN]	B [IN]	C [IN]	WEIGHT LBS
HD2K	3x2	215TC	5	1800	72	27	38	886
HD2K	3x2		10	1800	72	27	38	886
HD2K	3x2	256TC	20	1800	72	27	38	999
HD2K	3x2	286TC	20	1800	72	27	38	1188
HD2K	3x2		30	1800	72	27	38	1188
HD2K	3x2	326TC	40	1800	72	27	38	1299

**HD PROCESS PUMP, HD2K TEFC ELECTRIC  
SELF-PRIME FLEX COUPLED**



MODEL TYPE	SUCTION X DISCHARGE [IN]	NEMA FRAME	HP	RPM	A [IN]	B [IN]	C [IN]	WEIGHT LBS
HD2K	3x2	215TC	5	1800	85	27	38	1385
HD2K	3x2		10	1800	85	27	38	1385
HD2K	3x2	256TC	20	1800	85	27	38	1497
HD2K	3x2	286TC	20	1800	85	27	38	1687
HD2K	3x2		30	1800	85	27	38	1687
HD2K	3x2	326TC	40	1800	85	27	38	1798